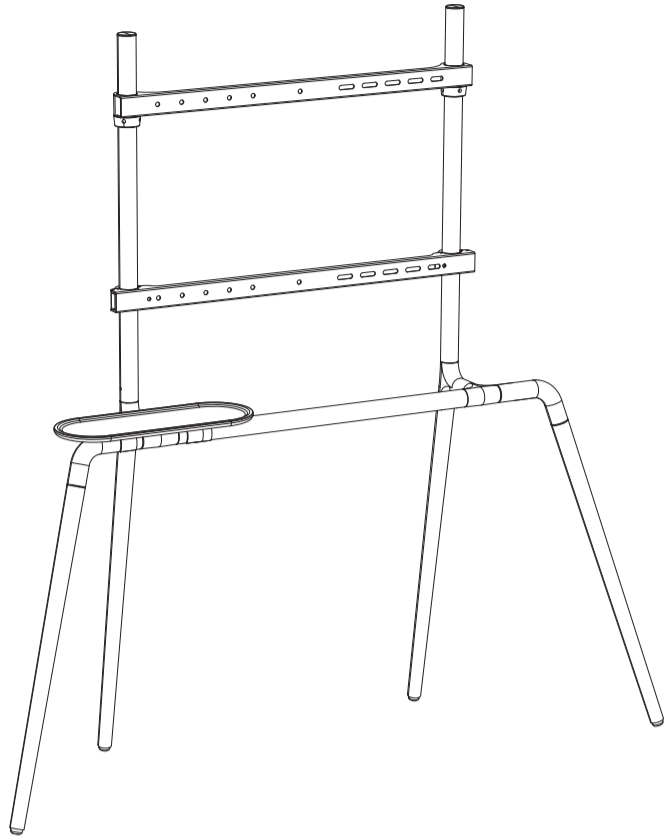


# XTRARM

## XTRARM tripod Ayta wood / black with felt tray



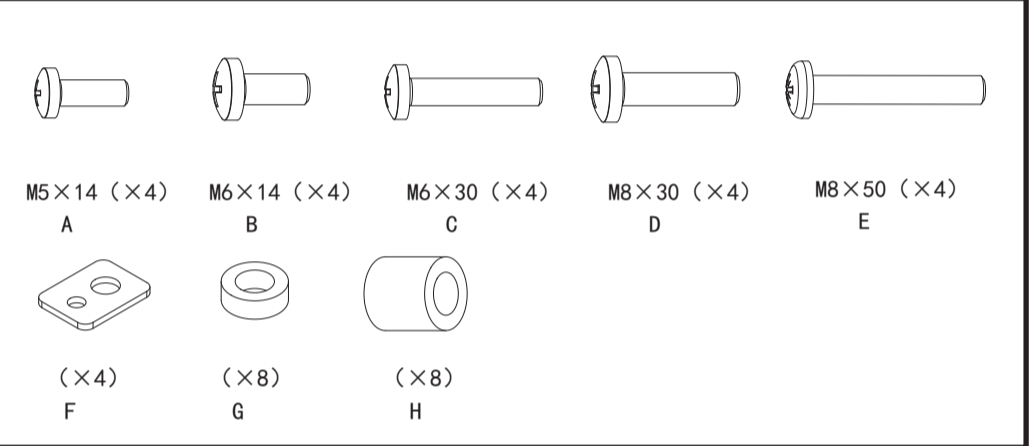
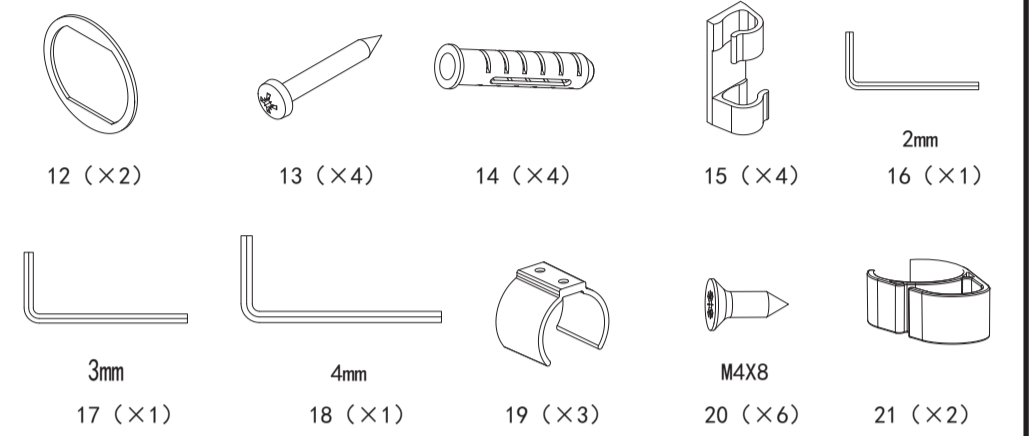
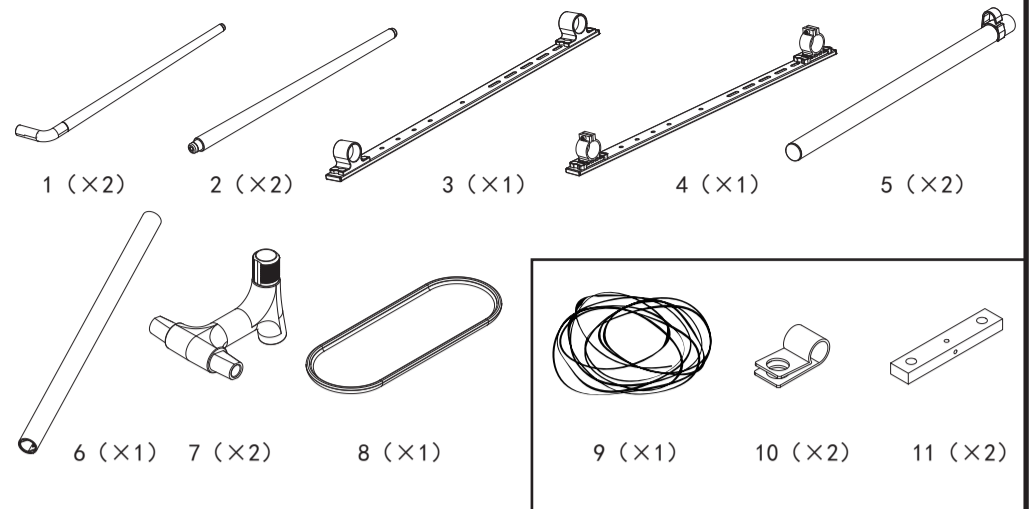
**XTR-FS2120**

**VESA**  
200 × 200 / 300 × 200  
300 × 300 / 400 × 200  
400 × 300 / 400 × 400  
600 × 400

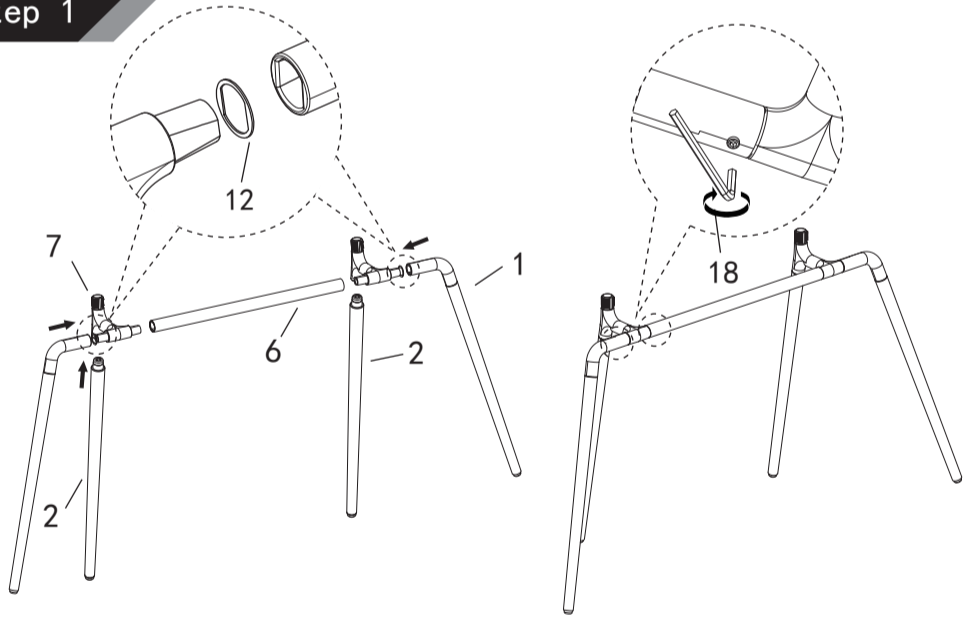
**42" — 75"**  
TV Size

**Load**  
≤ 45KG

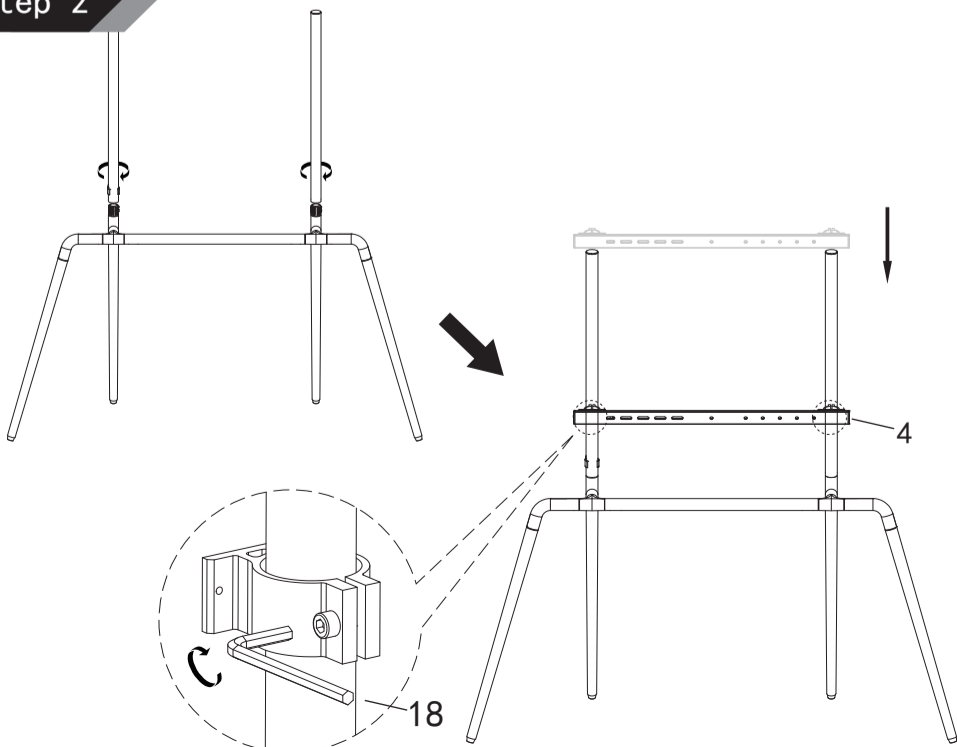
Read the entire instruction manual before you start installation and assembly.  
If you have any questions regarding any of the instructions or warnings,  
Please contact your local distributor for assistance.



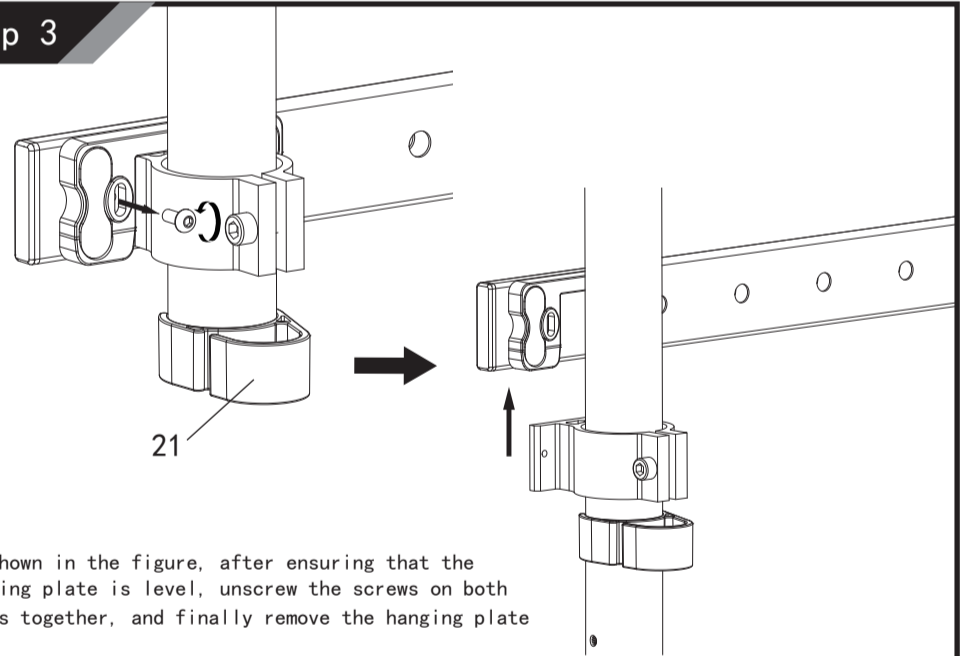
### Step 1



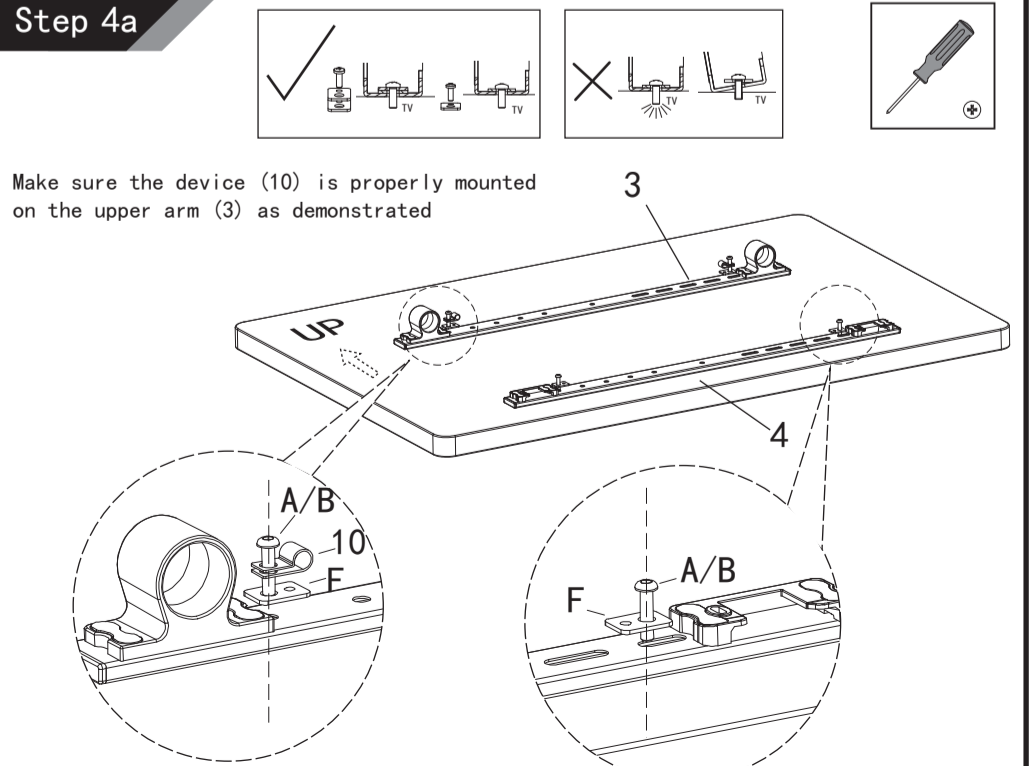
### Step 2



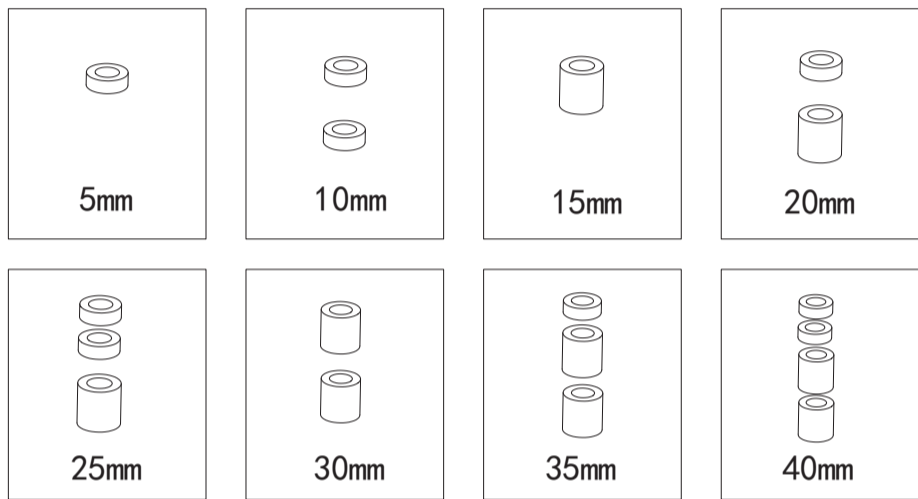
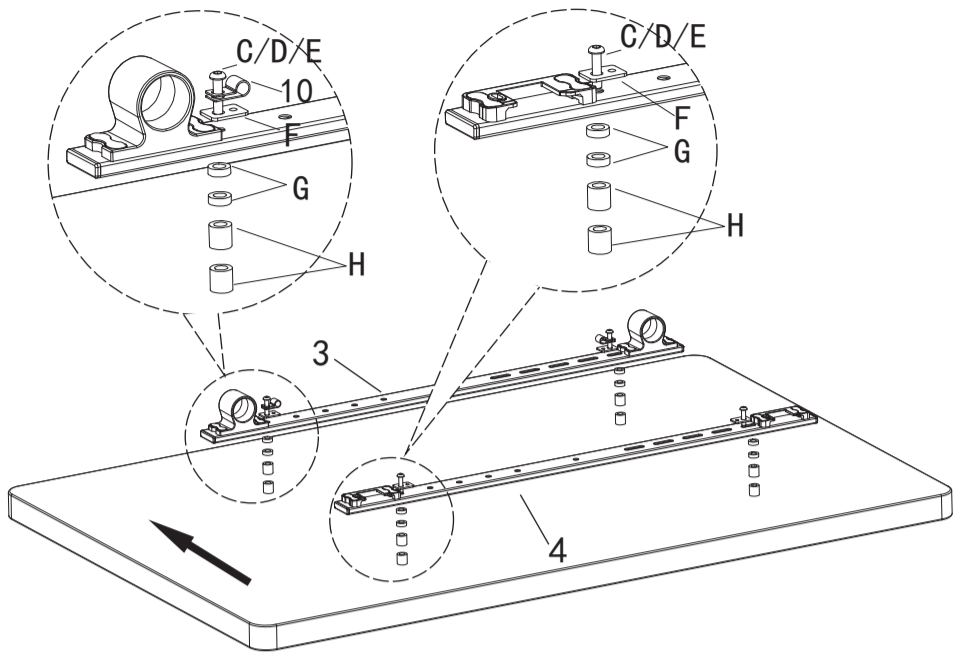
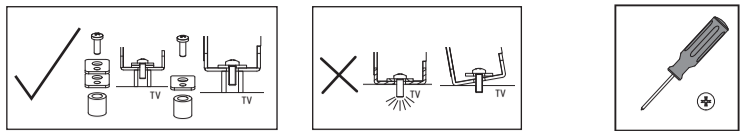
### Step 3



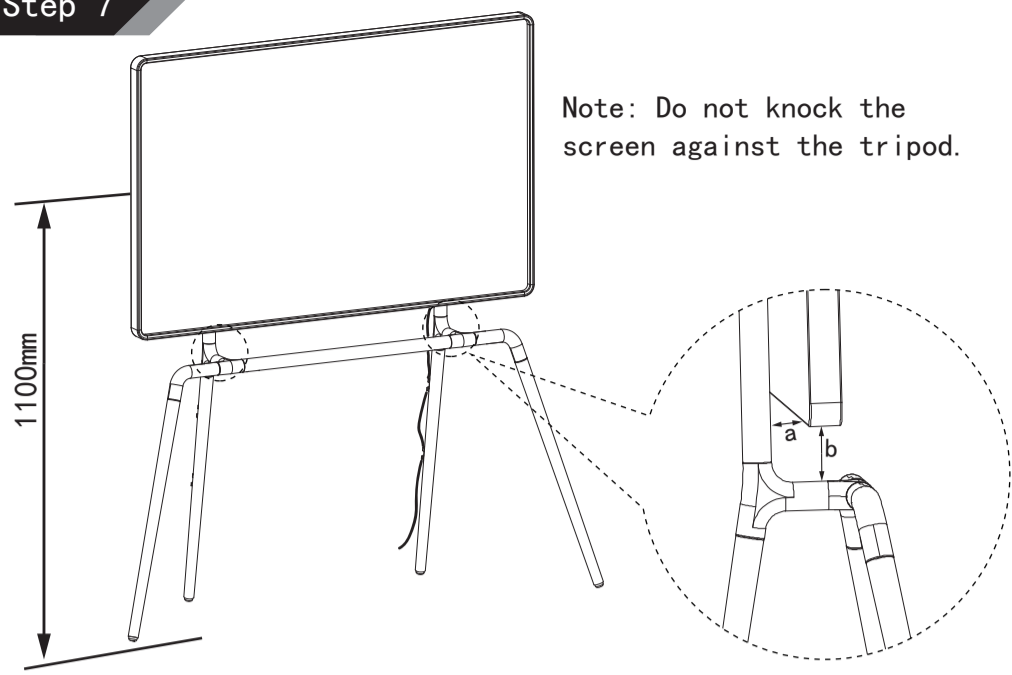
### Step 4a



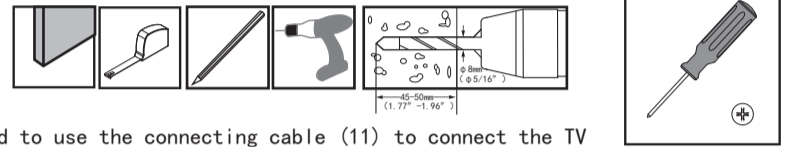
Step 4b



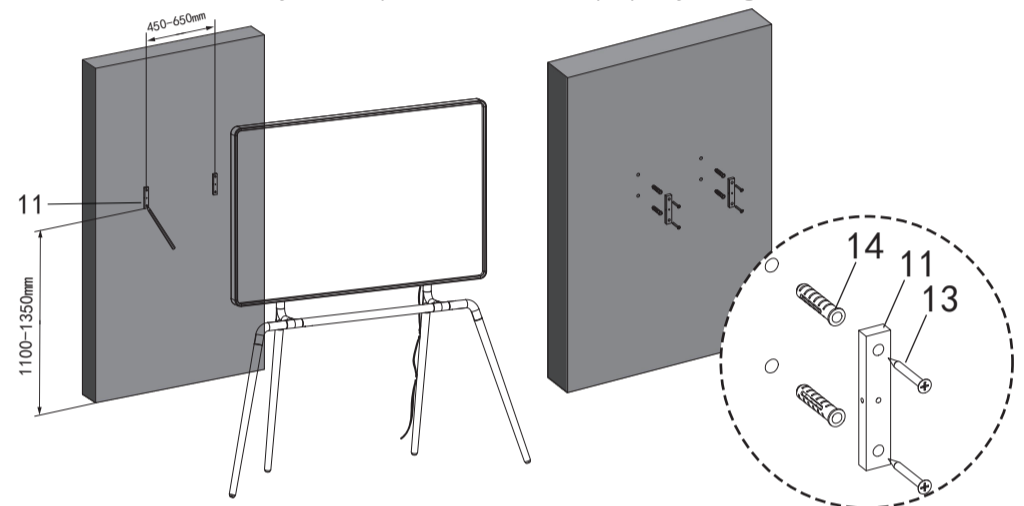
Step 7



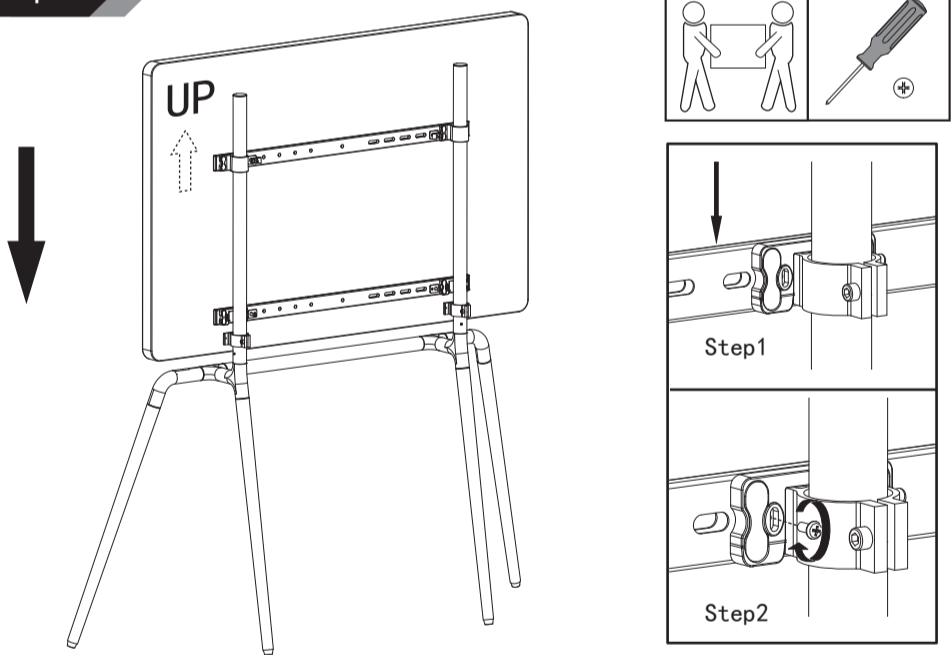
Step 8a



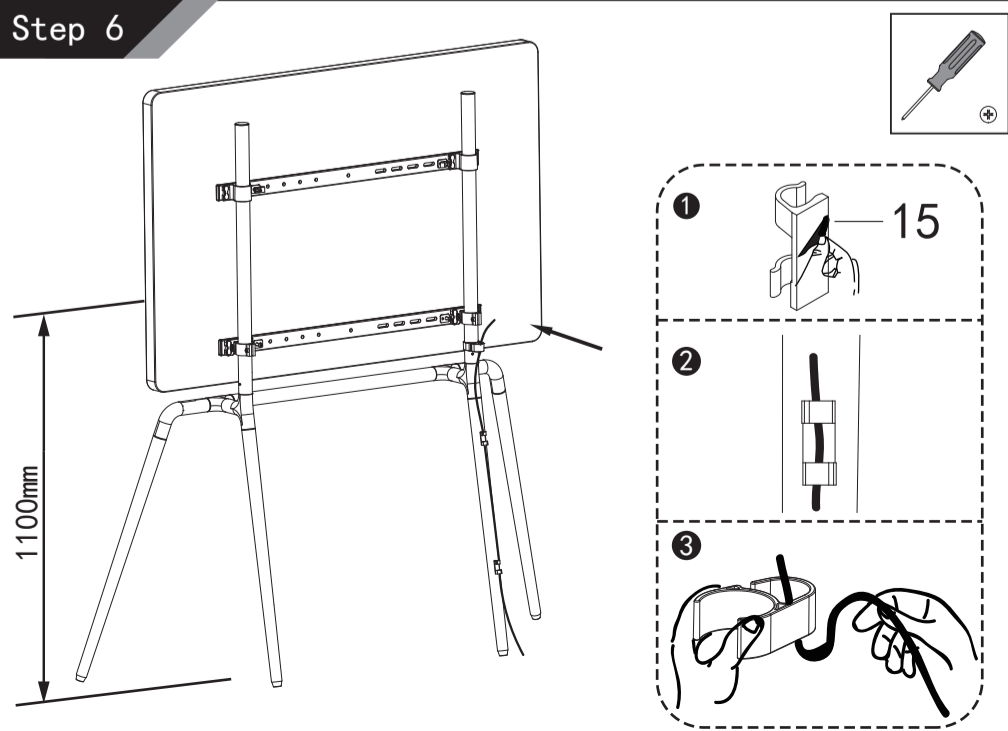
It is recommended to use the connecting cable (11) to connect the TV to the fixed accessory (9) to prevent accidental property damage.



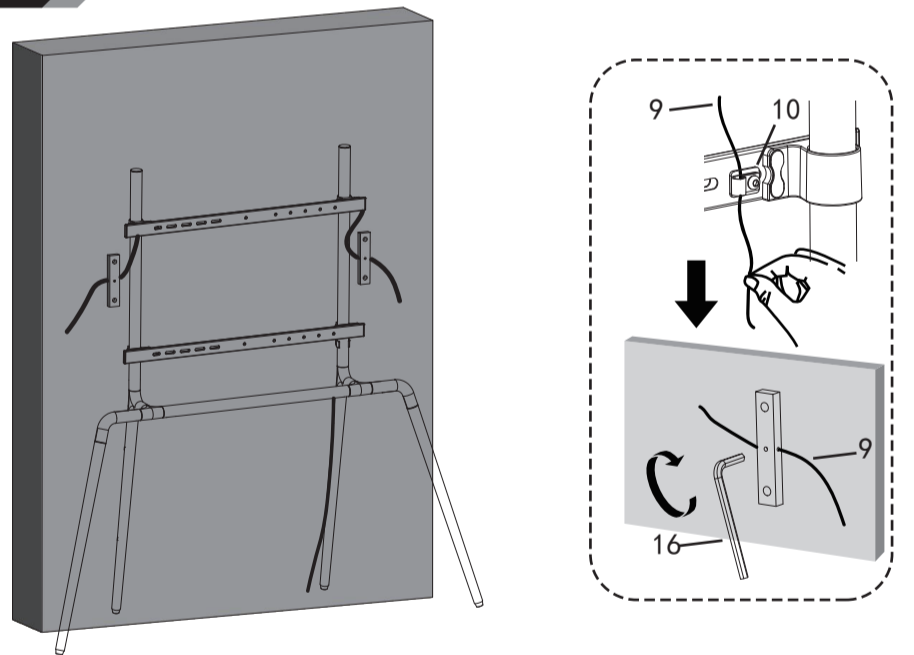
Step 5



Step 6



Step 8b



Step 9

